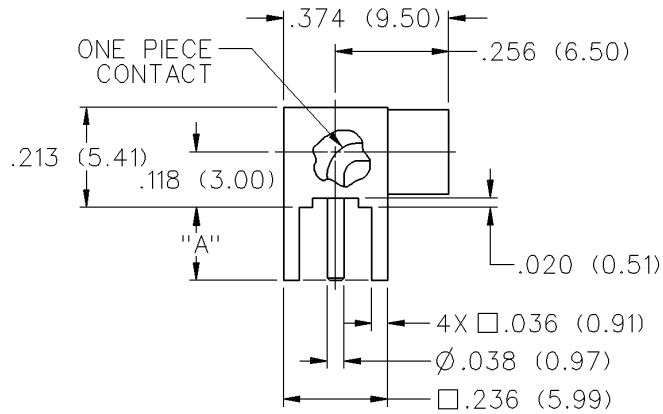
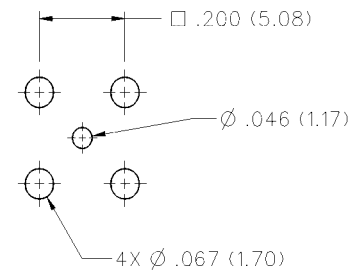


Right Angle Jack Receptacle



| | |
|-------------|--------------------|
| "A" | GOLD PLATED |
| .110 (2.79) | 133-9701-311 |



SPECIFICATIONS

ELECTRICAL RATINGS

Impedance: 50 Ohms

Frequency Range: 0-6 GHz

VSWR: (f = GHz)

| | <u>Straight Cabled Connectors</u> | <u>Right Angle Cabled Connectors</u> |
|----------------------------|-----------------------------------|--------------------------------------|
| RG-316 cable | 1.13 + .04f | 1.07 + .04f |
| Uncabled receptacles | N/A | |

Working Voltage: (Vrms maximum)

| Connectors for Cable Type | <u>Sea Level</u> | <u>70K Feet</u> |
|---------------------------|------------------|-----------------|
| RG-316 | 335 | 85 |

Dielectric Withstanding Voltage: (VRMS minimum at sea level)

Connectors for RG-316, uncabled receptacles 1000

Corona Level: (Volts minimum at 70,000 feet)

Connectors for RG-316, uncabled receptacles 250

Insertion Loss: (dB maximum, tested at 1 GHz)

| | |
|------------------------------------|--------|
| Straight cable connectors | 0.1 dB |
| Right angle cable connectors | 0.2 dB |
| Uncabled receptacles | N/A |

Insulation Resistance: 10,000 megohms minimum

Contact Resistance: (milliohms maximum)

| | <u>Initial</u> | <u>After Environmental</u> |
|---|----------------|----------------------------|
| Center contact (straight cabled connectors, uncabled receptacles) | 5.0 | 8.0 |
| Center contact (right angle cabled connectors) | 5.0 | 15.0 |
| Outer contact | 1.0 | 1.5 |
| Braid to body | 1.0 | N/A |

RF Leakage: (dB typical tested at 2.5 GHz)

Cable connectors -55

Uncabled receptacles N/A

RF High Potential Withstanding Voltage: (Vrms minimum, tested at 4 and 7 MHz)

Cabled connectors 700

Uncabled receptacles 600

MECHANICAL RATINGS

Engagement Design: Compatible with CECC 22220, Series MCX

Engagement Force: 5.6 pounds maximum axial force

Disengagement Force: 8 pounds maximum axial force, 1 pound min.

Contact Retention: 2.3 pounds min. axial force (captivated contacts)

1 inch-ounce min. torque (uncabled receptacles)

Cable Retention:

| | <u>Axial Force*</u> <u>(pounds)</u> | <u>Torque</u> <u>(in-oz)</u> |
|------------------------------|--|---------------------------------|
| Connectors for RG316 | 20 | N/A |
| Connectors for RG316DS | 25 | N/A |

* or cable breaking strength whichever is less.

ENVIRONMENTAL RATINGS (Meets or exceed the applicable paragraph of MIL-PRF-39012)

Durability: 500 cycles minimum

Temperature Range: - 65°C to + 165°C

Thermal Shock: MIL-STD-202, Method 107, Condition F

Corrosion: MIL-STD-202, Method 101, Condition B

Shock: MIL-STD-202, Method 213, Condition B

Vibration: MIL-STD-202, Method 204, Condition B

Moisture Resistance: MIL-STD-202, Method 106